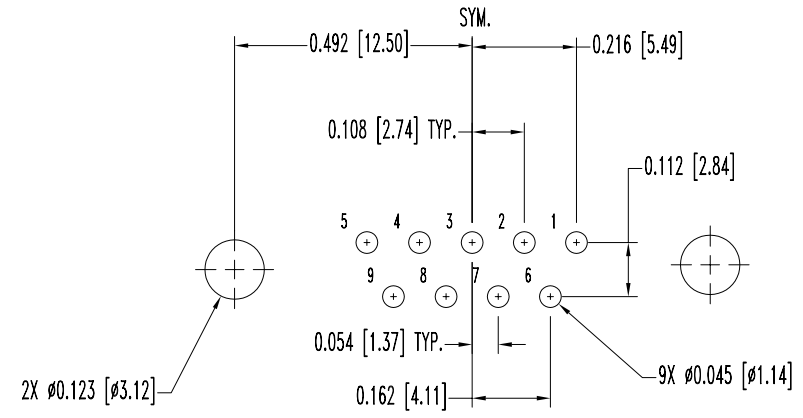
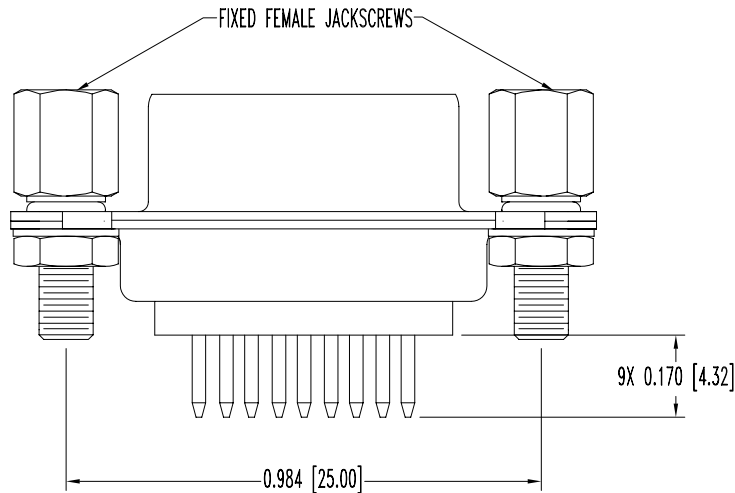
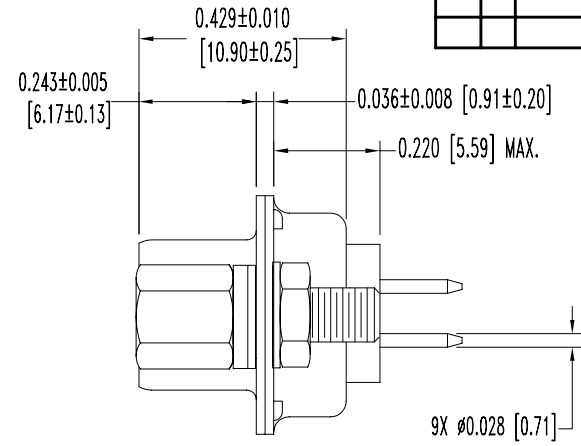
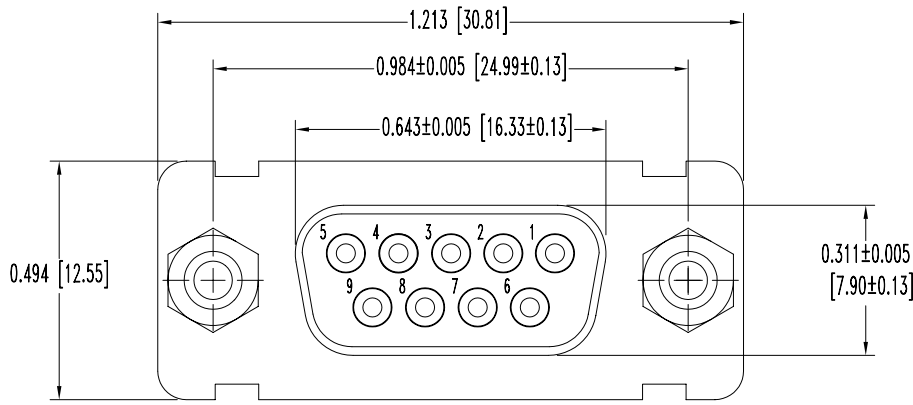


SK3681

THIS DRAWING CONTAINS INFORMATION PROPRIETARY TO POSITRONIC AND ITS SUBSIDIARIES. POSITRONIC BELIEVES THE DATA ON THIS DRAWING TO BE RELIABLE. SINCE THE TECHNICAL INFORMATION IS GIVEN FREE OF CHARGE, THE USER EMPLOYS SUCH INFORMATION AT HIS OWN DISCRETION AND RISK. POSITRONIC ASSUMES NO RESPONSIBILITY FOR RESULTS OBTAINED OR DAMAGES INCURRED FROM USE OF SUCH INFORMATION IN WHOLE OR IN PART.

DATE	REV	REVISION RECORD	APP	DR	CK
4-10-01	NC	ECO 17567		ME	



CONTACT HOLE PATTERN

NOTES:

- MATERIALS AND FINISHES:
 INSULATOR: GLASS FILLED DAP PER ASTM-D-5948 TYPE SDG-F, UL 94V-0, GREEN COLOR.
 CONTACTS: PRECISION MACHINED HIGH TENSILE PHOSPHOR BRONZE WITH STAINLESS STEEL SHROUD, GOLD FLASH OVER NICKEL PLATE.
 SHELLS: STAINLESS STEEL, PASSIVATE.
 JACKSCREW SYSTEMS: STEEL WITH ZINC PLATE AND DICHROMATE SEAL.
- ELECTRICAL CHARACTERISTICS:
 CONTACT CURRENT RATING: 7.5 AMPS NOMINAL.
 INITIAL CONTACT RESISTANCE: 0.005 OHMS MAXIMUM.
 INSULATOR RESISTANCE: 5 G OHMS.
- WORKING TEMPERATURE: -55°C TO +125°C.
- DIMENSIONS ARE IN INCHES [MILLIMETERS].

	POSITRONIC INDUSTRIES INC. www.connectpositronic.com		FSCM 28198
	DECIMAL TOL. ± 0.015 [0.38]	HDC SERIES	SCALE N.T.S.
WF # 3562	TITLE HDC9F300T2S		
ANGULAR TOL. ± 5°	DATE 4-10-01	DRAWING NUMBER SK3681	REV. NC